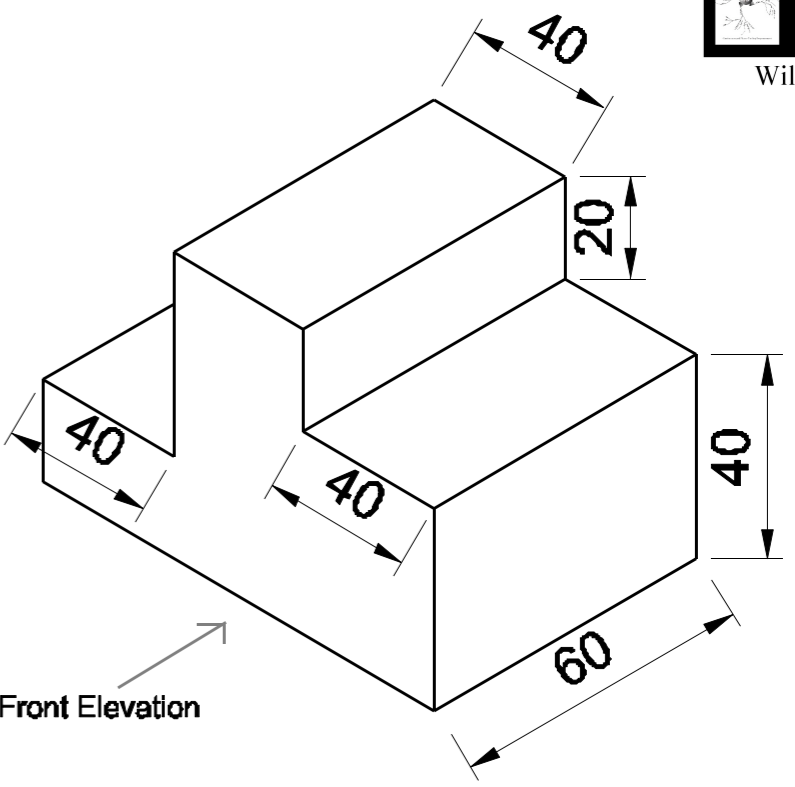


Wilhelm



Note: The Front Elevation is usually shortened to Elevation when labeling the views.

Complete the Plan, Elevation and both End Elevation views.

Plan

End Elevation

Elevation

End Elevation

Orthographic Views in 3rd Angle Projection

Plan, Elevation and End Elevation views.